



elfa[®]

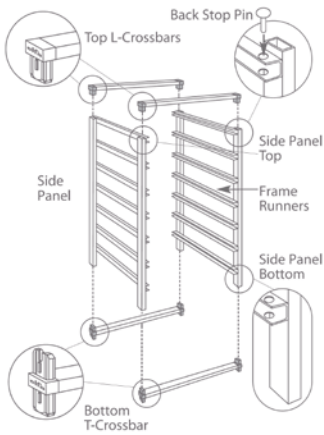
FRAMES & DRAWERS

Easy to assemble, the only tool required is a rubber mallet.



A

Assembling elfa[®] frames & drawers (Diagram A)



Step 1: Using a rubber mallet, tap the bottom of each side panel into the bottom T-crossbar.

Step 2: If using back stop pins, place them in the top runners before inserting the top L-crossbars.

Step 3: If using a frame top, place adhesive strips (included in the packaging) on the top L-crossbars. Align the frame top with the crossbars and press firmly.

Step 4: Insert remaining backstop pins and slide in drawers. If you have other frame and drawer accessories, install them now.

B

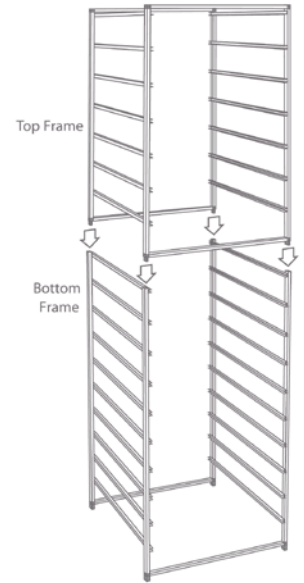
Combining elfa[®] frames (Diagram B)

Step 1: Assemble top frame. See steps 1-2 above.

Step 2: Assemble bottom frame, omitting the top L-crossbars. If using back stop pins, put one in the top runners of the bottom frame.

Step 3: Lower the top frame onto the bottom frame. Secure by tapping each corner of the top frame until the bottom T-crossbars are completely slotted into the bottom frame.

Step 4: Insert remaining backstop pins and slide in drawers. If you have other frame and drawer accessories, install them now.



BUILD YOUR DRAWER SYSTEM

As you would expect from a quality system like elfa[®], these frames are designed for maximum flexibility with runners all the way down the sides. This means that you can change the basket positions as your needs change. Add baskets to suit your needs.

Choose wire or mesh baskets for your stand alone frames using this guide. Drawers come in three height options, which take up either 1, 2 or 3 runners on a drawer frame, giving you the flexibility to mix and match to your exact needs.

Choose frame width

250mm Wide
350mm Wide
450mm Wide
550mm Wide



howards[®]
storage world

hsw.com.au

© Howards Storage World 2020