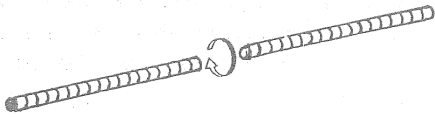

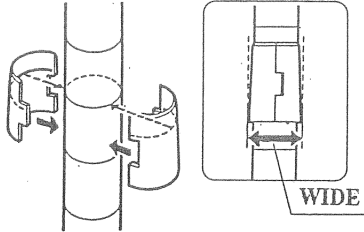
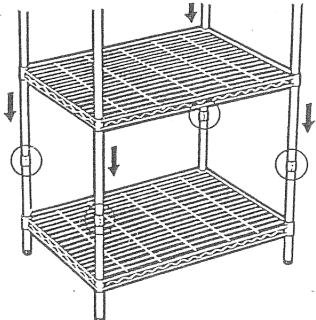
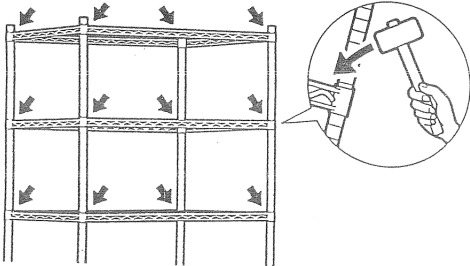
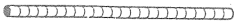
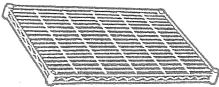



DAD 4
EASY TO ASSEMBLE CHROME SHELVING SYSTEM

ASSEMBLY INSTRUCTIONS:

| | |
|---|---|
|  | <p>1) Assemble the small length poles by joining with the built-in screw provided in each pole to form a full length support pole. The top pole comes with a plastic cap and the base pole with a built-in screw attachment in it.</p> |
|  | <p>2) Lay all the fully assembled poles on a flat surface and mark the required height for each shelf.</p> |
|  | <p>3) Start with the bottom shelf when assembling the whole unit. This is done by clipping the 2 pieces of plastic holders on the marked level on each pole. Ensure the narrow end of the plastic holder faces in an upwards position when clipping onto the poles. Do not clip all the plastic holders at the same time.</p> |
|  | <p>4) Start slotting in the shelf (mesh surface facing upwards) from the top poles to the bottom level. Repeat process (3) for the next of the shelves and then insert the shelves until the whole unit is completed.</p> |
|  | <p>5) To check that the shelves are positioned correctly adjust the plastic holder cap at each of the 4 sides of the poles before tightening it. To have each shelf firmly slot into the poles, the tightening process is completed by using a mallet to hammer all 4 sides of the slot joints.</p> |

PARTS

| | |
|---|---|
| <p>POLE</p>  | <p>4pcs</p> |
| <p>SHELF</p>  | <p>3 Tiers – 3 pcs 4 Tiers – 4 pcs 5 Tiers – 5 pcs 6 Tiers – 6 pcs</p> |
| <p>PLASTIC HOLDER</p>  | <p>3 Tiers – 12 sets 4 Tiers – 16 sets 5 Tiers – 20 sets 6 Tiers – 24 sets</p> |